

MODEL: C75

DISPLAY AERATOR CONTROL WITH TIME SWITCH, GFCB, LIGHTNING ARRESTOR AND LOW VOLTAGE TRANSFORMER SUITABLE FOR USE WITH SUBMERSIBLE LIGHTS

IN RAINPROOF (TYPE 3R) ENCLOSURE SUITABLE FOR INDOOR OR OUTDOOR USE
 PUMP CIRCUIT: 2 hp max, 240 Vac, LIGHT CIRCUIT: 300 Watt max, 12, 13 or 14 Vac.
 43 Amp MAX. 120/240 Vac SINGLE PHASE

Note: The short circuit current rating of this panel is 5000 symmetrical amperes.



IMPORTANT: This control panel must be installed according to the National Electrical Code (including article 680) and local code requirements. The main lugs and neutral main are suitable for No. 14 to 2 AWG **COPPER** conductors. Follow gauge selection table and corresponding terminal screw tightening torque requirements below. An additional branch circuit protector (20 Amp max) may be installed in the unused position for use as an auxiliary circuit. Use only Square D HOM Series circuit breakers for addition or replacement. Follow Manufacturers instructions for testing of ground fault circuit breakers (GFCB).

After wiring, install front panel over wiring compartment and close unused breaker openings.

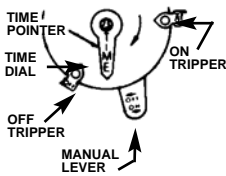
KEEP DOOR CLOSED AT ALL TIMES.

Wiring information-Copper Conductors	
Wire Size	Terminal Tightening Torque
AWG	Lb-In
14	20
12	20
10	20
8	25
6	35
4	45
3	50

Low Voltage Lighting Connections	
White	Neutral
Black	12 Vac
Yellow	13 Vac
Blue	14 Vac

This panel is low voltage lighting ready. For Canadian installations, power to the transformer must be supplied through a ground fault circuit breaker. The low voltage transformer is controlled by a timer/photoelectric circuit. For low voltage lighting connections, please refer to the instructions enclosed with the lights. If lights will **not** be installed, **all** transformer wires and the red wire leading from the photoelectric switch should be **individually** capped.

TIME SWITCH OPERATING INSTRUCTIONS



1. TO SET "ON" AND "OFF" TIMES:

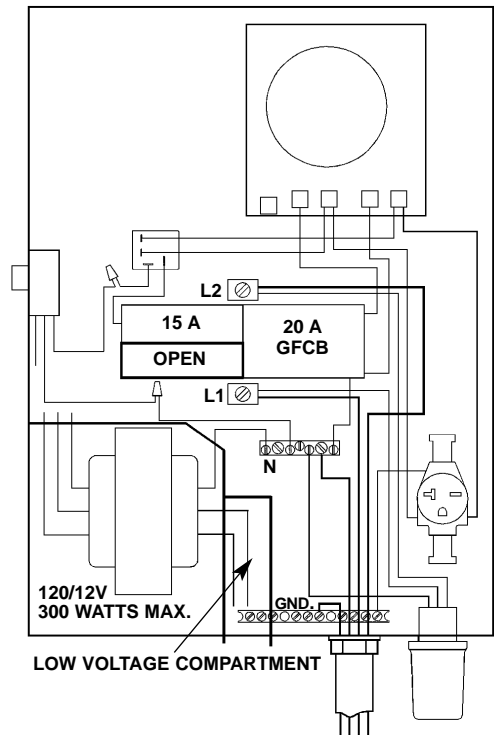
Hold TRIPPERS against edge of CLOCK-DIAL, pointing to time (AM or PM) when **ON** and **OFF** operations are desired. Tighten tripper screws firmly.

2. TO SET TIME-OF-DAY:

Pull CLOCK-DIAL outward. Turn in either direction and align the exact time-of-day on the CLOCK-DIAL (the time now, when switch is being put into operation) to the pointer.

-DO NOT MOVE POINTER-

- **TO OPERATE SWITCH MANUALLY:** Move MANUAL-LEVER below left or right as indicated by arrows. This will not affect the next operation.
- **FOR MORE THAN ONE DAILY ON-OFF OPERATION:** Place additional tripper pairs on CLOCK-DIAL (order 156T1978A).
- **IN CASE OF POWER FAILURE:** Reset CLOCK-DIAL to proper time of day. See step 2 above.



KASCO MARINE, INC.,
 800 Deere Road
 Prescott, WI 54021-1241
 • Phone (715) 262-4488